

**Model #** 8880AA  
8880D

**For Use With** Doors, Walls and Acoustical Windows-  
Any Thickness. To increase sound rating.

**Construction** Aluminum Extrusion

**Uses Glass Thickness** 1/4"  
*Glass sold separately.*

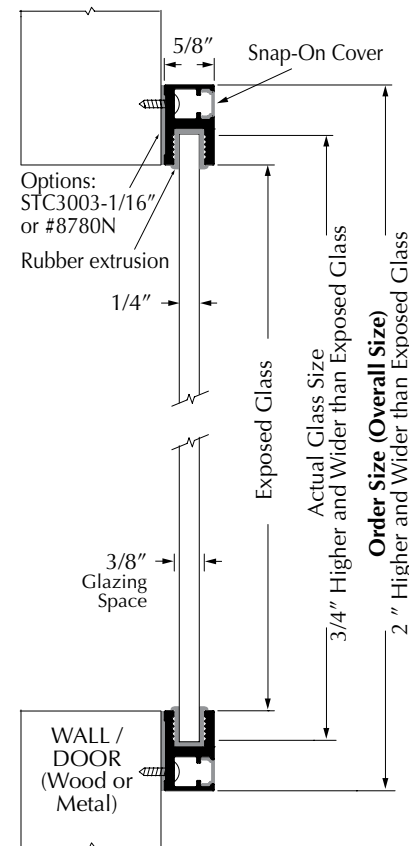
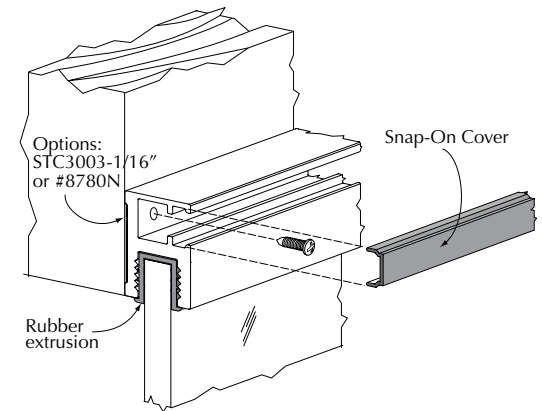
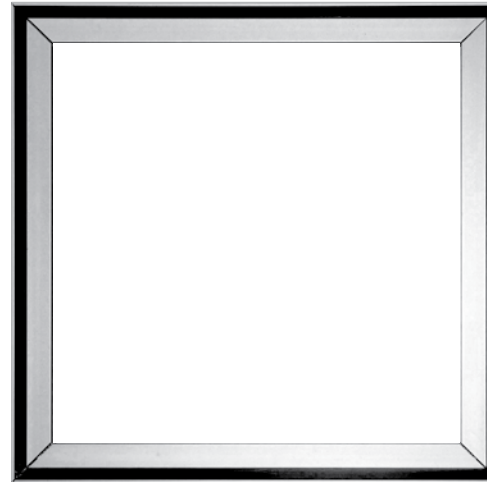
**Screw / Bolt Arrangement** No screws visible on exterior side,  
hidden behind snap-on cover.

**Order Size** Same as overall size.

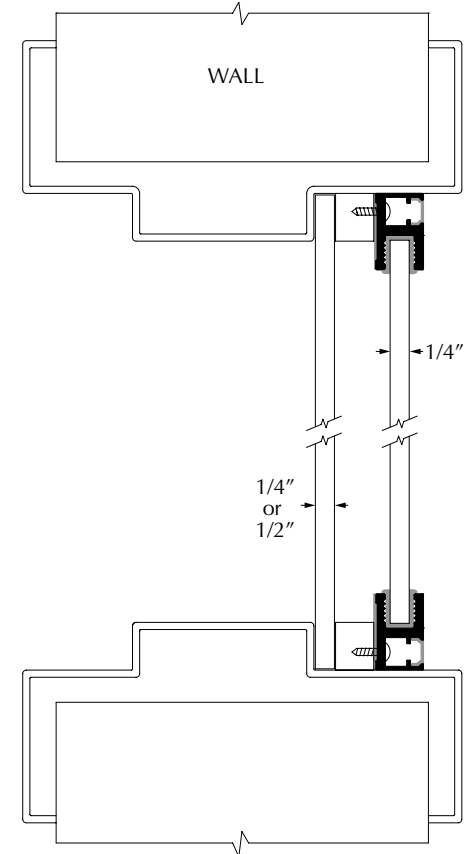
**Actual Glass Size** 3/4" wider and higher than order size.

**Rough Opening** Same as exposed glass.

**Finish** 204 R1 Clear Anodized (AA) or  
Dark Bronze Anodized (D)



● APPLICATION ON DOOR  
Surface-mounted



● APPLICATION ON WINDOW  
Surface-mounted on any edge of  
window frames



415 Concord Avenue, Bronx, NY 10455  
Tel 718-585-3230 • Fax 718-292-2243  
www.a-ll.com



A ZERO INTERNATIONAL COMPANY  
www.zerointernational.com

Since 1923